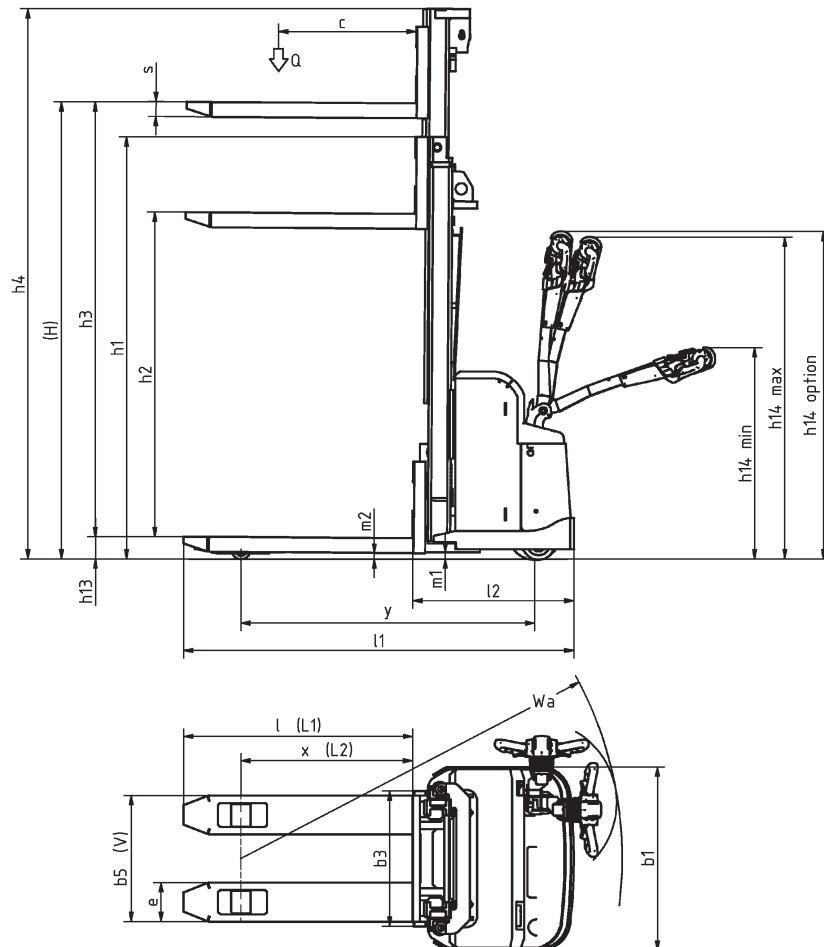


PEDESTRIAN STACKER

SP 125TFV

The compact pedestrian stacker for flexible use in tight spaces. Robust, powerful and handy. Offset tiller arm with all controls in the tiller head for easy handling.



| Mast type | Lift height H / h12 | Height of mast lowered h1 | Max mast height h4 |
|-----------------|---------------------|---------------------------|--------------------|
| Standard/Duplex | 2690 | 1845 | 3105 |
| | 2990 | 1995 | 3405 |
| | 3290 | 2150 | 3710 |
| | 3590 | 2300 | 4010 |
| | 4190 | 2600 | 4610 |
| Triples | | | |

| | | | | | |
|---------------------|-----------------------------------|---|-----------------------------|------------|-------------------------|
| Distinguishing mark | 0 | Specification | | SP 125TFV | |
| | 1.2 | Manufacturer's type designation | | PS 125TFV | |
| | 1.3 | Drive: electric (battery or mains), diesel, petrol, fuel gas | | Electric | |
| | 1.4 | Operator type: hand, pedestrian, standing, seated, order-picker | | Pedestrian | |
| | 1.5 | Load capacity/rated load | Q | t | 1,25 |
| | 1.6 | Load centre distance | c | mm | 500 / 600 |
| | 1.8 | Load distance, centre of load axle to fork | X | | 750 |
| | 1.9 | Wheelbase | y | mm | 1282 |
| | Weight | 2.1 | Service weight incl battery | | kg |
| 2.2 | | Axle load, with load, front/rear | | kg | |
| 2.3 | | Axle load, without load, front / rear | | kg | 800 / 1380 |
| 2.4 | | Axle load, fork outreached with load, front / rear | | kg | 650 / 280 |
| 2.5 | | Axle load, fork retracted with load, front / rear | | kg | |
| Tyres, chassis | 3.1 | Tyres | | | Vulcollan |
| | 3.2 | Tyre size, drive side | | mm | Ø 230x70 |
| | 3.3 | Tyre size, load side | | mm | Ø 85x99 |
| | 3.4 | Dimensions additional wheels (castor wheels) | | mm | Ø 140x60 |
| | 3.5 | Wheels, number front/rear (drive side/load side, x = driven wheels) | | | 1x 1/2 |
| | 3.6 | Track, drive side | b10 | mm | 523 |
| | 3.7 | Track, load side | b11 | mm | 378 |
| Dimensions | 4.1 | Tilt of mast/fork carriage, forward/backward | | Grad | |
| | 4.2 | Height, mast lowered | h1 | mm | See table |
| | 4.3 | Free lift | h2 | mm | $h2 = h3/2 + 85$ |
| | 4.4 | Lift height $H = h13+h3$ | H | mm | See table |
| | 4.5 | Height, mast extended | h4 | mm | See table |
| | 4.6 | Straddle lift | h5 | mm | |
| | 4.7 | Height of overhead guard (cabin) | h6 | mm | |
| | 4.8 | Seat height/stand height | h7 | mm | |
| | 4.10 | Height of wheel arms | h8 | mm | |
| | 4.11 | Additional lift | h9 | mm | |
| | 4.14 | Stand height, elevated | h12 | mm | |
| | 4.15 | Height lowered | h13 | mm | 90 |
| | 4.19 | Overall length | l1 | mm | 1700 / 1900 |
| | 4.20 | Length to face of forks | l2 | mm | 700 |
| | 4.21 | Overall width | b1 | mm | 800 |
| | 4.21.1 | Width over stabilizers | | mm | |
| | 4.22 | Fork dimensions | s/e/l | mm | 65/170/1000 - 1200 |
| | 4.23 | Fork carriage to ISO 2328, clas / form A, B | | | |
| | 4.24 | Width of fork carriage | b3 | mm | 590 |
| | 4.25 | Width over forks, min/max | b5 | mm | 550 |
| | 4.26 | Distance between wheel arms | b4 | mm | |
| | 4.27 | Width across guide rolls | b6 | mm | |
| | 4.28 | Reach distance | l4 | mm | |
| | 4.29 | Reach lateral | b7 | mm | |
| | 4.30 | Reach lateral from vehicle centerline | b8 | mm | |
| | 4.31 | Ground clearance, mast | m1 | mm | |
| | 4.32 | Ground clearance, centre of wheelbase | m2 | mm | 25 |
| | 4.33 | Aisle width with pallet 1000 x 1200, crosswise | Ast | mm | 2515 (with option 2435) |
| | 4.34 | Aisle width for pallet 800 x 1200, lengthwise | Ast | mm | 2465 (with option 2385) |
| | 4.35 | Turning radius | Wa | mm | 1665 (with option 1585) |
| | 4.37 | Length incl reach legs | l7 | mm | |
| 4.38 | Distance to swivelling-fork pivot | 0 | mm | | |
| Performance data | 5.1 | Travel speed, with/without load | | km/h | 5.8 / 6 |
| | 5.1.1 | Travel speed with/without load, backwards | | km/h | |
| | 5.2 | Lift speed, with/without load | | m/s | 0,11 / 0,23 |
| | 5.3 | Lowering speed, with/without load | | m/s | 0,30 / 0,19 |
| | 5.4 | Reach speed, with / without load | | m/s | |
| | 5.7 | Gradient, with/without load | | % | 6 / 15 |
| | 5.8 | Max gradeability, with / without load, 5 min rating | | % | |
| | 5.9 | Acceleration time 0-10 m, with/without load | | s | 8.0 / 6.9 |
| | 5.10 | Service brake: electric, hydraulic | | | Electric |
| | 5.10.1 | Parking brake: electric, hydraulic | | | Electric |
| Electric engine | 6.1 | Drive motor, rating S2 60 min | | kW | 1,3 AC |
| | 6.2 | Lift motor | | kW | 2,4 |
| | 6.3 | Battery according to DIN 43531/35/36 | A,B,C | | |
| | 6.4 | Battery voltage / Battery capacity | | V/Ah | 24 / 150-230 |
| | 6.5 | Battery weight | | kg | 140-215 |
| | 6.6 | Power consumption according to VDI cycle | | kWh/h | |
| Additional data | 8.1 | Speed regulation | | | AC |
| | 10.1 | Operating pressure attachments | | bar | |
| | 10.2 | Oil flow for attachments | | l/min | |
| | 10.7 | Noise level at operator's ear, according to EN 12 053 | | db(A) | |

* Varies according to battery size

All rights reserved to change above specification