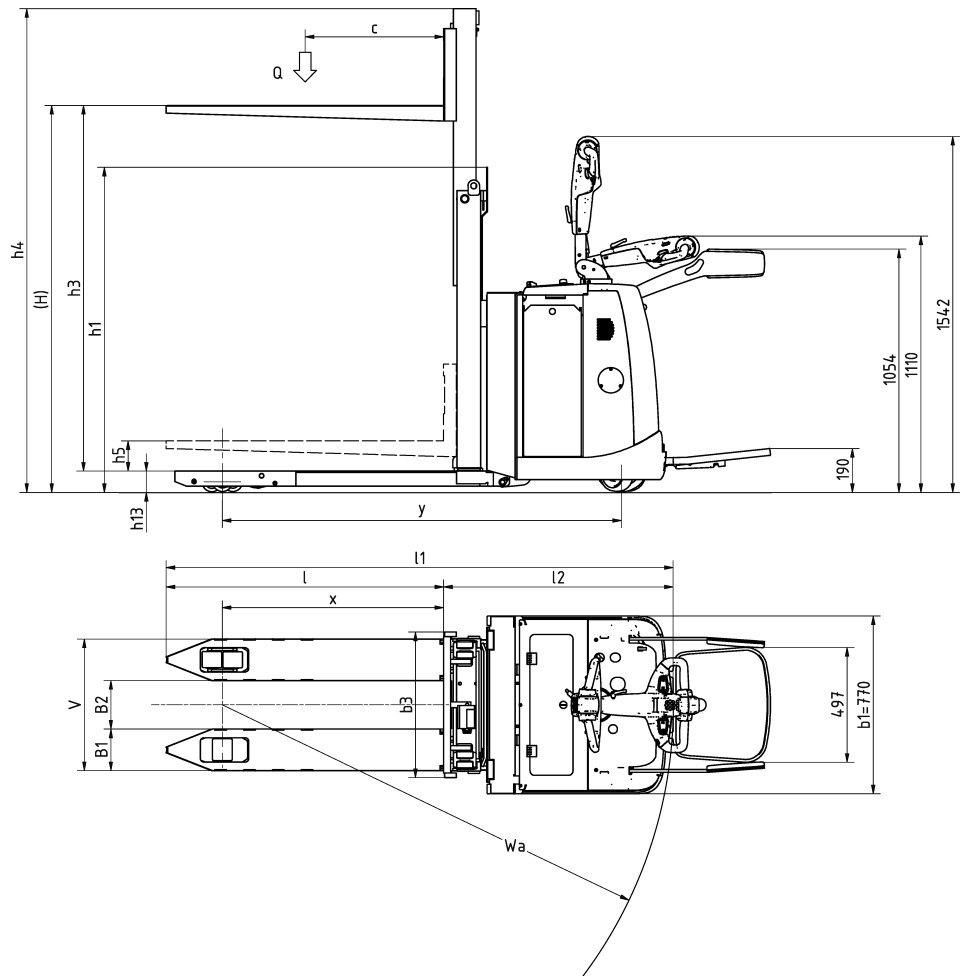


RIDE ON DOUBLE STACKER

SRD 200



Pedestrian Double Stacker with ride on platform suited for high intense cross docking options including loading/unloading and internal transport as well as occasional order picking. Straddle lift and foldable side protection bars as standard. Driver protected fixed platform available as option.



Mast type	Lift height H / h12	Height of mast lowered h1	Max mast height h4
Standard/Duplex	1675 2090	1410 1560	2095 2395
Triplex			

TCM

Distinguishing mark	0	Specification		SRD 200		
	1.2	Manufacturer's type designation		PDP 200		
	1.3	Drive: electric (battery or mains), diesel, petrol, fuel gas		Electric		
	1.4	Operator type: hand, pedestrian, standing, seated, order-picker		Pedestrian		
	1.5	Load capacity/rated load	Q	t	1,0 + 1,0	
	1.6	Load centre distance	c	mm	400-600	
	1.8	Load distance, centre of load axle to fork	X		982 / 832	
	1.9	Wheelbase	y	mm	1754 / 1604	
	Weight	2.1	Service weight incl battery		kg	1270*
2.2		Axle load, with load, front/rear		kg	1230 / 2040	
2.3		Axle load, without load, front / rear		kg	940 / 330	
2.4		Axle load, fork outreached with load, front / rear		kg		
2.5		Axle load, fork retracted with load, front / rear		kg		
Tyres, chassis	3.1	Tyres		Vulcollan		
	3.2	Tyre size, drive side		mm	230*90	
	3.3	Tyre size, load side		mm	85*70	
	3.4	Dimensions additional wheels (castor wheels)		mm	150*60	
	3.5	Wheels, number front/rear (drive side/load side, x = driven wheels)			1x 2/4 (2)	
	3.6	Track, drive side	b10	mm	526	
	3.7	Track, load side	b11	mm	390	
Dimensions	4.1	Tilt of mast/fork carriage, forward/backward		Grad		
	4.2	Height, mast lowered	h1	mm	1410 / 1560	
	4.3	Free lift	h2	mm		
	4.4	Lift height H = h13+h3	H	mm	1675 / 2090	
	4.5	Height, mast extended	h4	mm	2095 / 2395	
	4.6	Straddle lift	h5	mm	120	
	4.7	Height of overhead guard (cabin)	h6	mm	2287	
	4.8	Seat height/stand height	h7	mm	165	
	4.10	Height of wheel arms	h8	mm	87	
	4.11	Additional lift	h9	mm		
	4.14	Stand height, elevated	h12	mm		
	4.15	Height lowered	h13	mm	90	
	4.19	Overall length	l1	mm	2185 / 2571	
	4.20	Length to face of forks	l2	mm	1035	
	4.21	Overall width	b1	mm	770	
	4.21.1	Width over stabilizers		mm		
	4.22	Fork dimensions	s/e/l	mm	65/180/ 1150, 1000	
	4.23	Fork carriage to ISO 2328, clas / form A, B				
	4.24	Width of fork carriage	b3	mm	590	
	4.25	Width over forks, min/max	b5	mm	570	
	4.26	Distance between wheel arms	b4	mm		
	4.27	Width across guide rolls	b6	mm		
	4.28	Reach distance	l4	mm		
	4.29	Reach lateral	b7	mm		
	4.30	Reach lateral from vehicle centerline	b8	mm		
	4.31	Ground clearance, mast	m1	mm	17	
	4.32	Ground clearance, centre of wheelbase	m2	mm	17 - 135	
	4.33	Aisle width with pallet 1000 x 1200, crosswise	Ast	mm	2685 / 3072	
	4.34	Aisle width for pallet 800 x 1200, lengthwise	Ast	mm	2668 / 3055	
	4.35	Turning radius	Wa	mm	1030+x / 1417+x	
	4.37	Length incl reach legs	l7	mm		
	4.38	Distance to swivelling-fork pivot	0	mm		
	Performance data	5.1	Travel speed, with/without load		km/h	10 / 10
		5.1.1	Travel speed with/without load, backwards		km/h	10 / 10
		5.2	Lift speed, with/without load		m/s	0,20 / 0,32
		5.3	Lowering speed, with/without load		m/s	0,39 / 0,24
		5.4	Reach speed, with / without load		m/s	
		5.7	Gradient, with/without load		%	6,5 / 17,2
5.8		Max gradeability, with / without load, 5 min rating		%	14,5 / 27,7	
5.9		Acceleration time 0-10 m, with/without load		s	6,1 / 4,9	
5.10		Service brake: electric, hydraulic			El. - drive motor	
5.10.1		Parking brake: electric, hydraulic			El. - drive motor	
Electric engine	6.1	Drive motor, rating S2 60 min		kW	2,2	
	6.2	Lift motor		kW	3,2	
	6.3	Battery according to DIN 43531/35/36		A,B,C		
	6.4	Battery voltage / Battery capacity		V/Ah	24/345 - 400	
	6.5	Battery weight		kg	250 - 370*	
	6.6	Power consumption according to VDI cycle		kWh/h		
Additional data	8.1	Speed regulation			Combi AC	
	10.1	Operating pressure attachments		bar		
	10.2	Oil flow for attachments		l/min		
	10.7	Noise level at operator's ear, according to EN 12 053		db(A)	60.1	

* Varies according to battery size

All rights reserved to change above specification